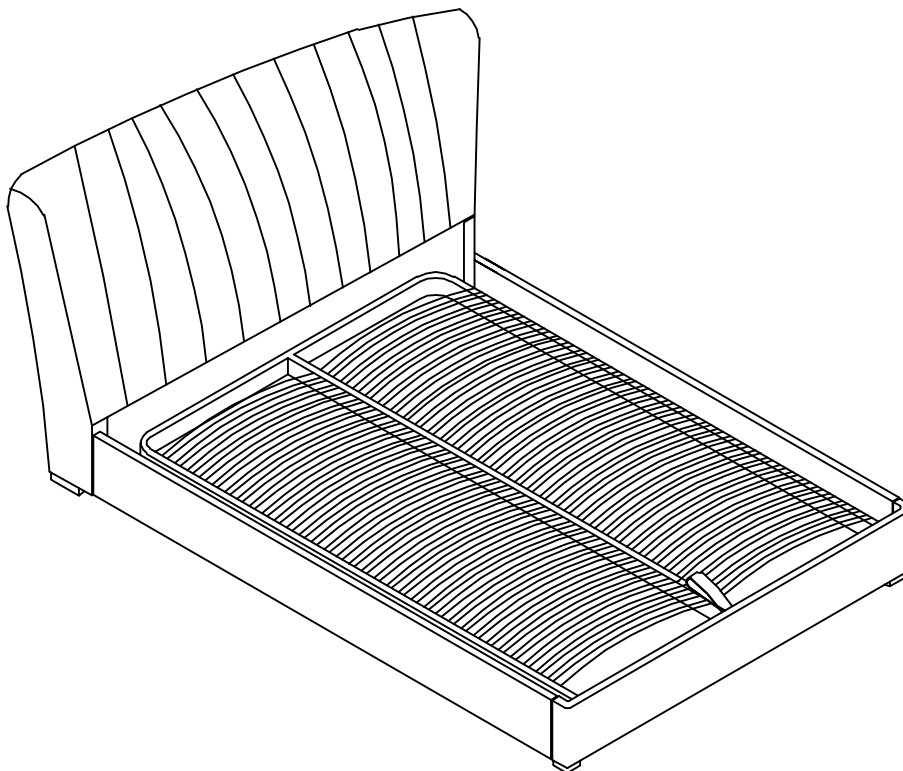




Assembly Instructions

Double bed 4'6






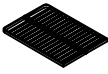




ASSEMBLY RATING








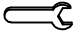
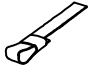
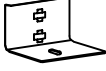
The Assembly Rating is a 5-point system that shows the degree of effort needed in assembling a specific product (with 1 being easy and 5 being difficult). For some products, two persons are recommended.

EASY

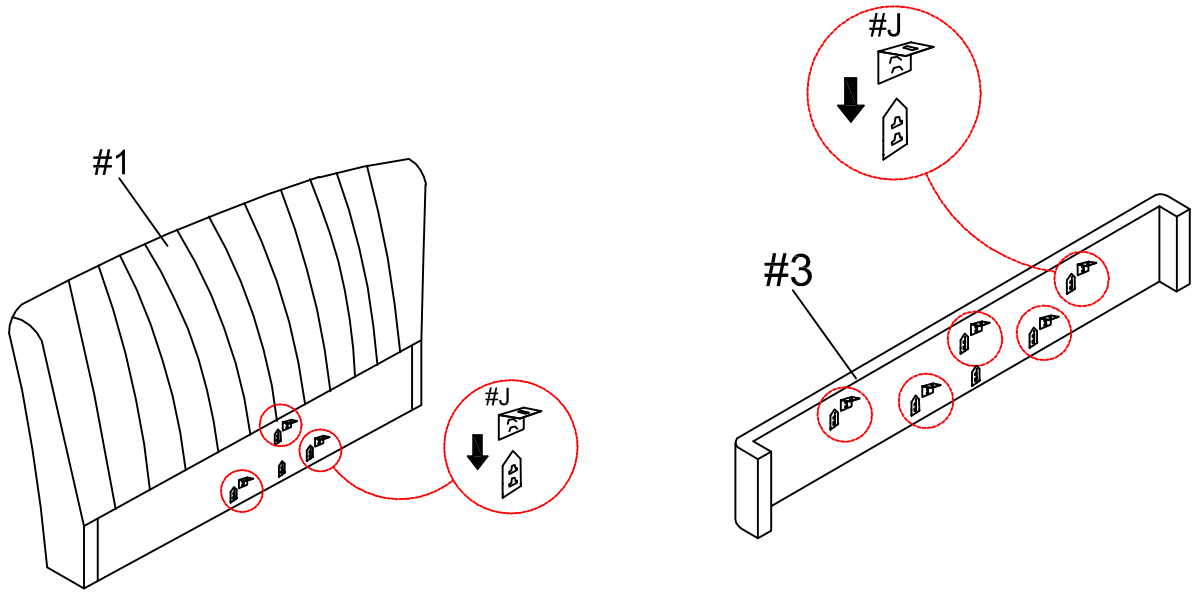


DIFFICULT

PARTS IDENTIFICATION			
#	DRAWING	DESCRIPTION	QTY
#1		Headboard	1pc
#2		Side Rails	2pcs
#3		Footboard	1pc
#4		Rib Frame	1pc
#5		Base Boards	2pcs
#6		Centre Support	1pc
#7		HB/FB Leg	4pcs
#8		Support Leg	2pcs

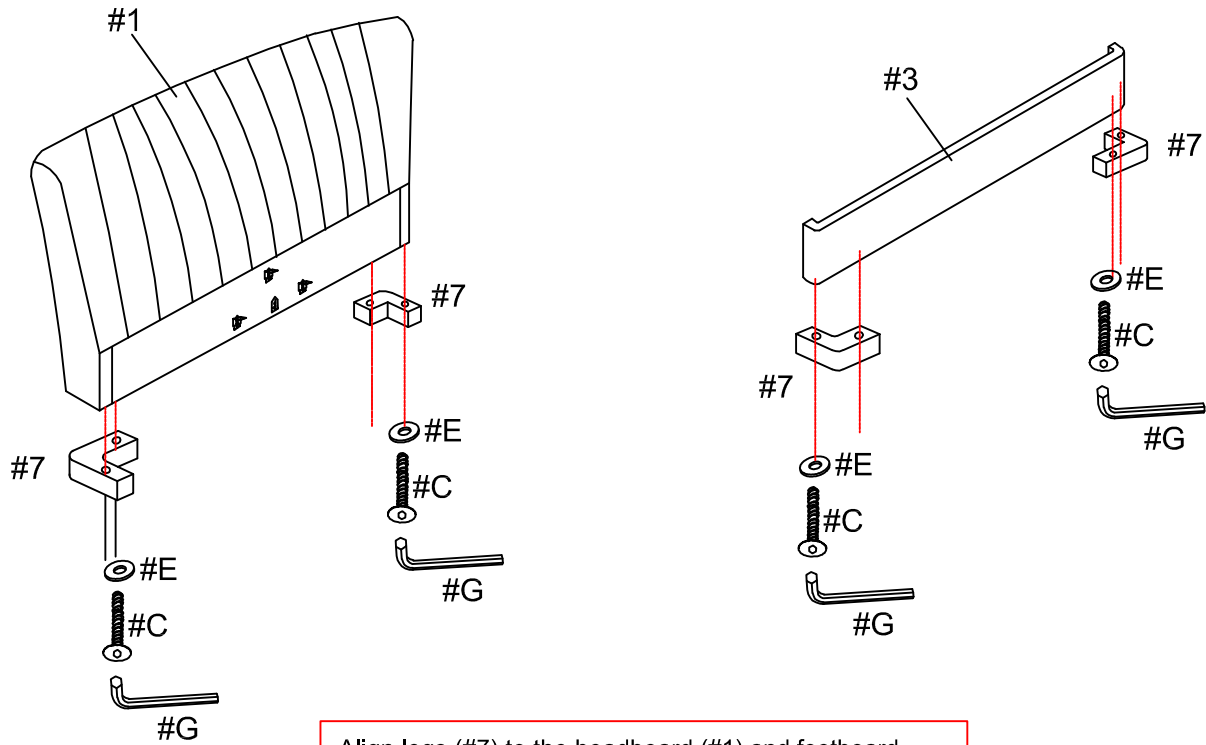
HARDWARE LIST			
#	DRAWING	DESCRIPTION	QTY
#A		Bolt M8 X 30mm	12pcs
#B		Bolt M8 X 45mm	6pcs
#C		Bolt M8 X 55mm	8pcs
#D		Bolt M8 X 25mm	2pcs
#E		Flat Washer M8	34pcs
#F		NUT M8	6pcs
#G		Allen Wrench M8	1pc
#H		Wrench M8	1pc
#I		Handle	1pc
#J		Bracket	8pcs

STEP 1



Attach Bracket (#J) to headboard (#1) and footboard (#3).

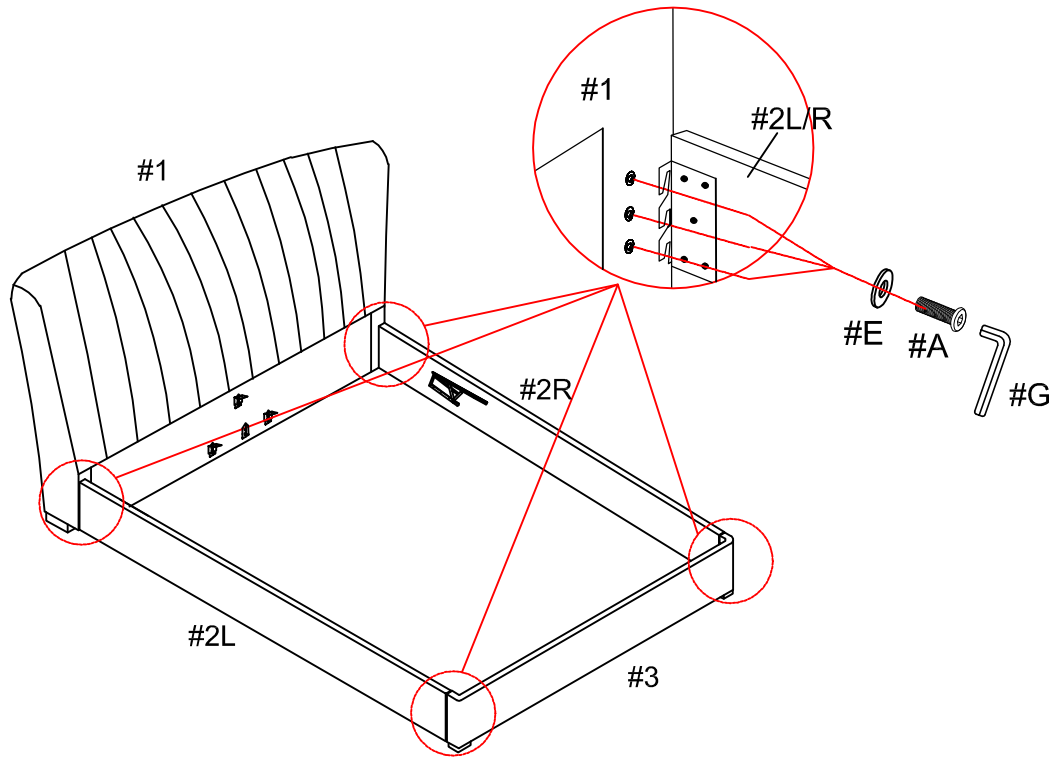
STEP 2



Align legs (#7) to the headboard (#1) and footboard (#3), then secure by using bolts (#C) with washers (#E). Secure using the Allen wrench (#G).

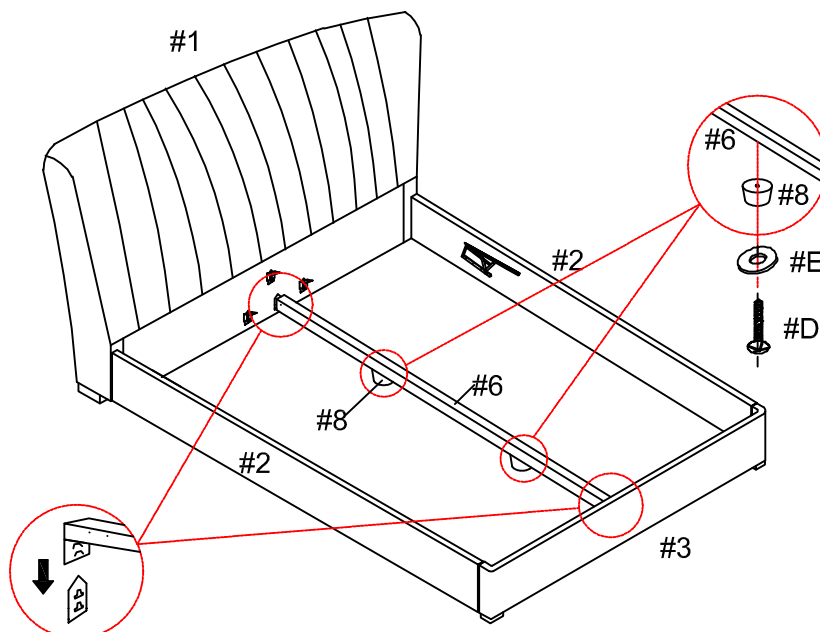
STEP 3

Align side rails (#2L/R) to the holes of the headboard (#1) and footboard (#3), then secure by using bolts (#A) with washers (#E). Secure using the Allen wrench (#G).



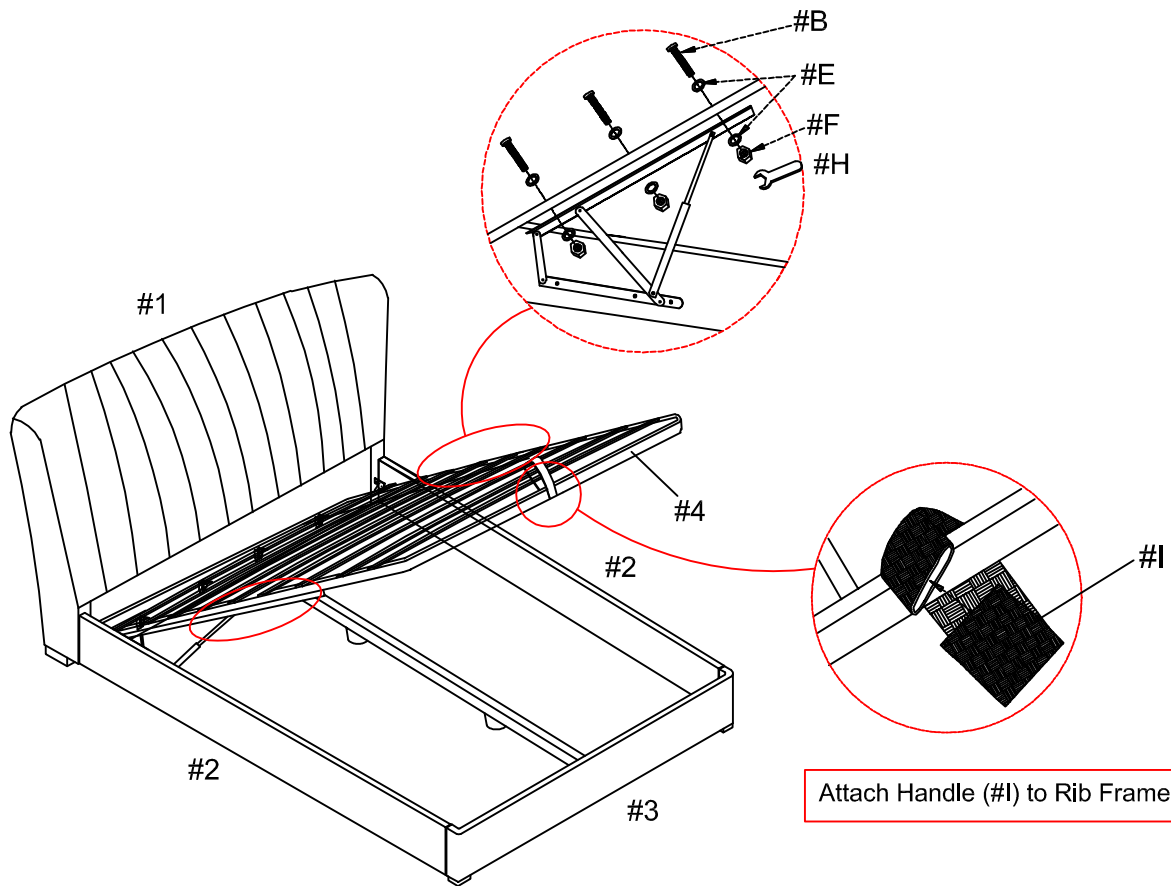
STEP 4

- 1 Attach support legs (#8) to the center support rails (#6), then secure by using bolts (#D) with washers (#E).
- 2 Attach and slide the Centre support rails (#6) to the metal brackets of the headboard and footboard.



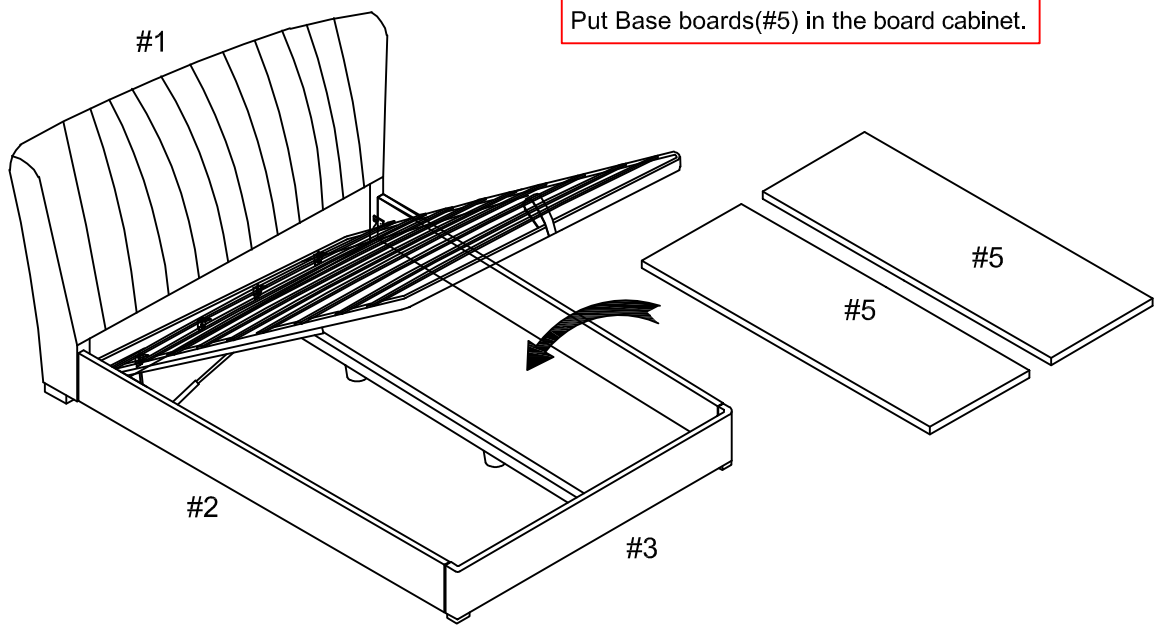
STEP 5

Align Slats (#4) to the Side Rail (#2), then secure by using bolts (#B) and Nut (#F) with washers (#E).

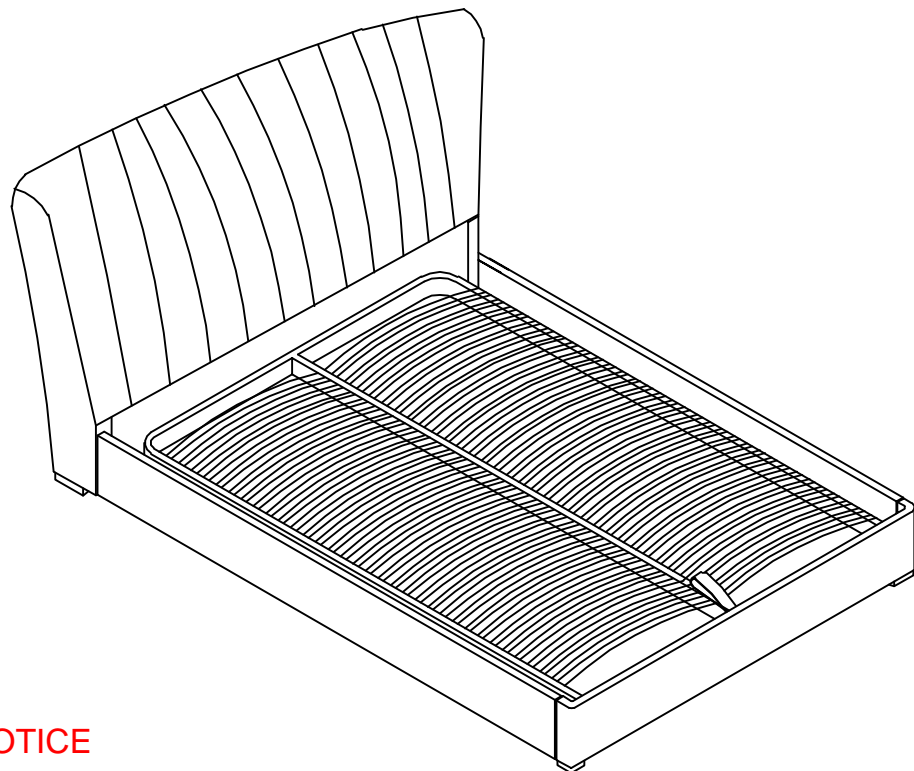


STEP 6

Put Base boards(#5) in the board cabinet.



STEP 7



CUSTOMER NOTICE

Please take care when lifting up and lowering the ottoman without a weighted mattress due to the pressurised gas pistons.

ASSEMBLY COMPLETE