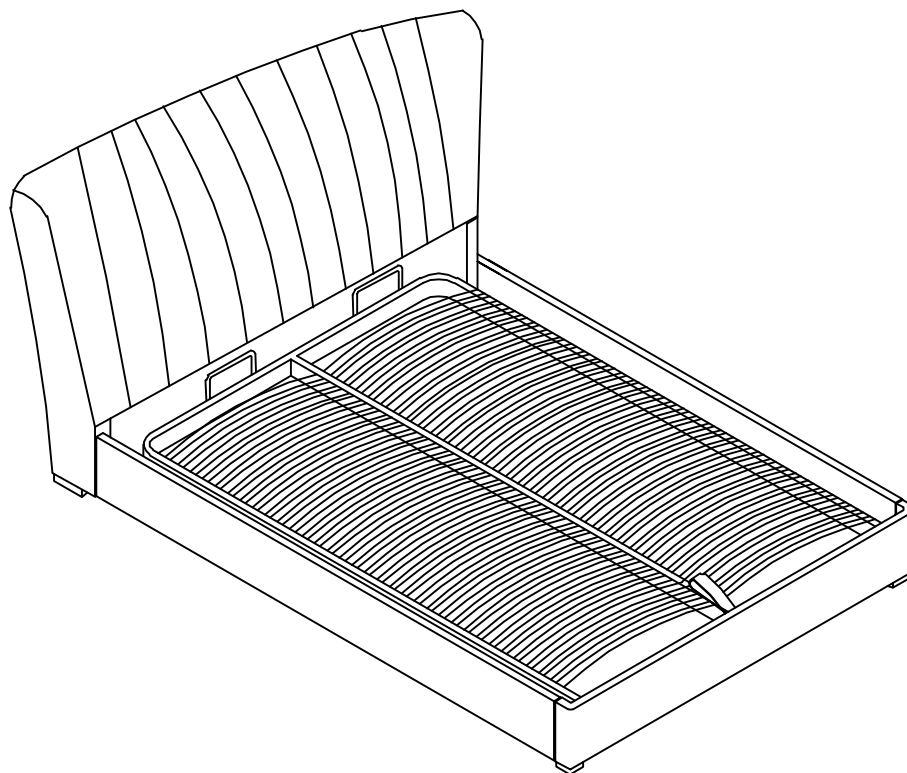




# Assembly Instructions

King 5'0/Super King bed 6'0











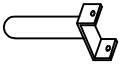
## ASSEMBLY RATING












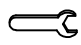




The Assembly Rating is a 5-point system that shows the degree of effort needed in assembling a specific product (with 1 being easy and 5 being difficult). For some products, two persons are recommended.

EASY

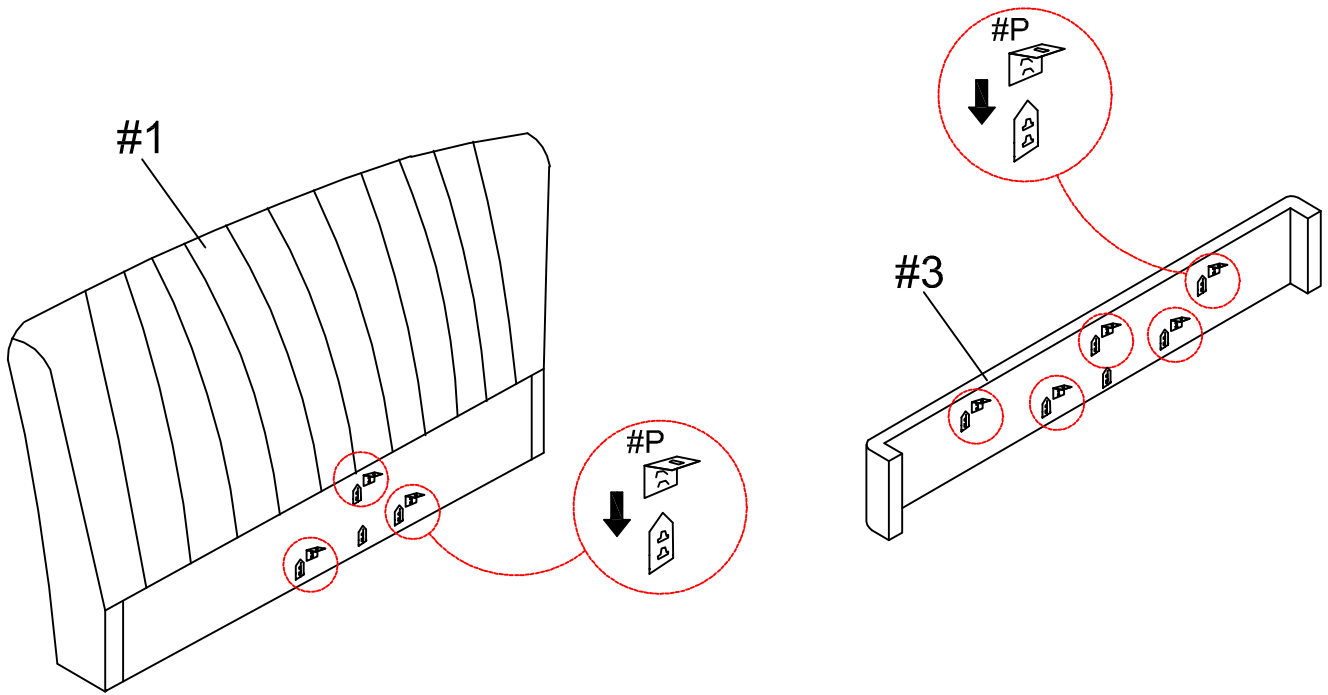


DIFFICULT

PARTS IDENTIFICATION			
#	DRAWING	DESCRIPTION	QTY
#1		Headboard	1pc
#2		Side Rails	2pcs
#3		Footboard	1pc
#4		Rib Frame	1pc
#5		Base Boards	2pcs
#6		Centre Support	1pc
#7		HB/FB Leg	4pcs
#8		Support Leg	2pcs
#9		Slat Support Leg	2pcs

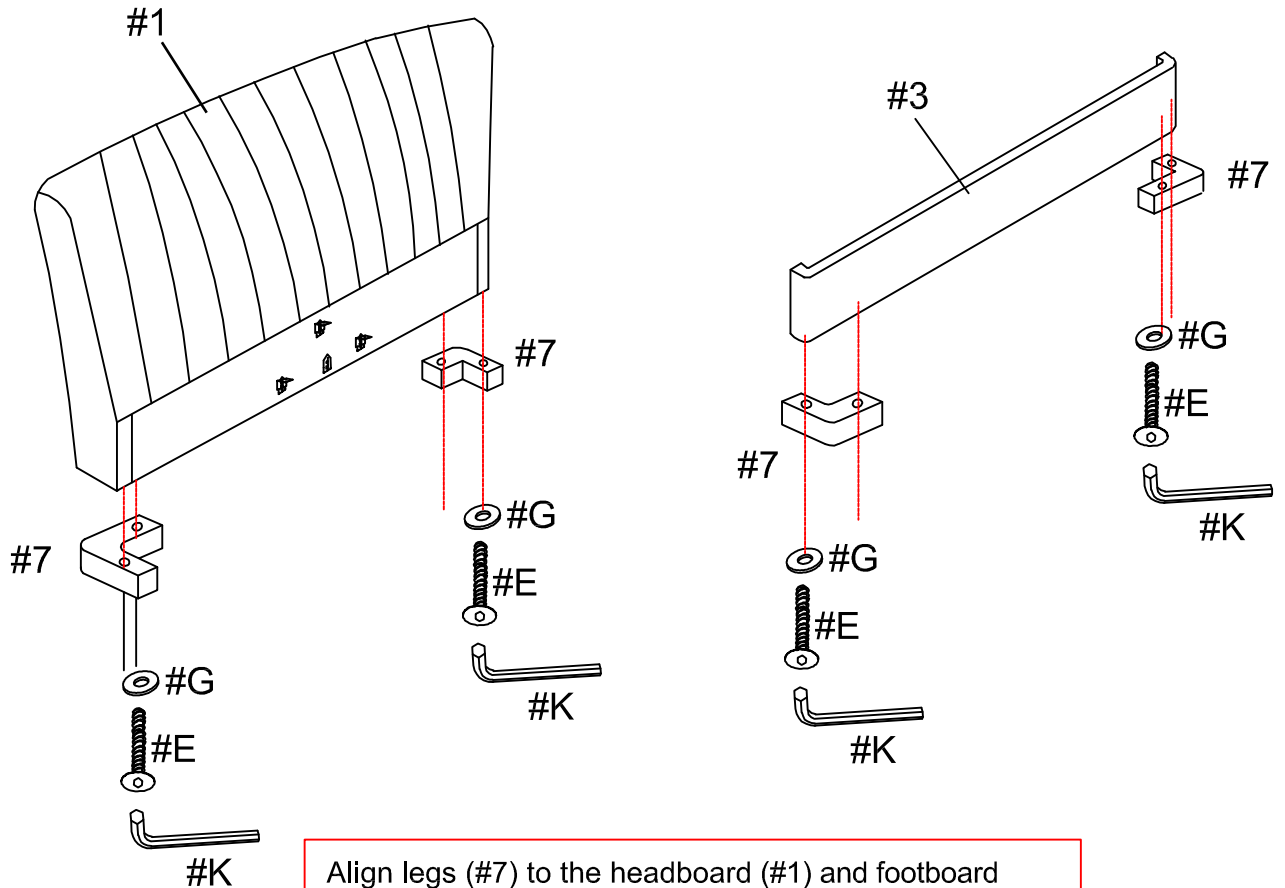
HARDWARE LIST			
#	DRAWING	DESCRIPTION	QTY
#A		Bolt M8 X 80mm	2pcs
#B		Bolt M8 X 30mm	12pcs
#C		Bolt M8 X 45mm	14pcs
#D		Bolt M6 X 45mm	4pcs
#E		Bolt M8 X55mm	8pcs
#F		Bolt M8 X25mm	2pcs
#G		Flat Washer M8	54pcs
#H		Flat Washer M6	8pcs
#I		NUT M6	4pcs
#J		NUT M8	16pcs
#K		Allen Wrench M8	1pc
#L		Wrench M8	1pc
#M		Cape Code	2pcs
#N		U-Shape Hook	2pcs
#O		Handle	1pc
#P		Bracket	8pcs

# STEP 1



Attach Bracket (#P) to headboard (#1) and footboard (#3).

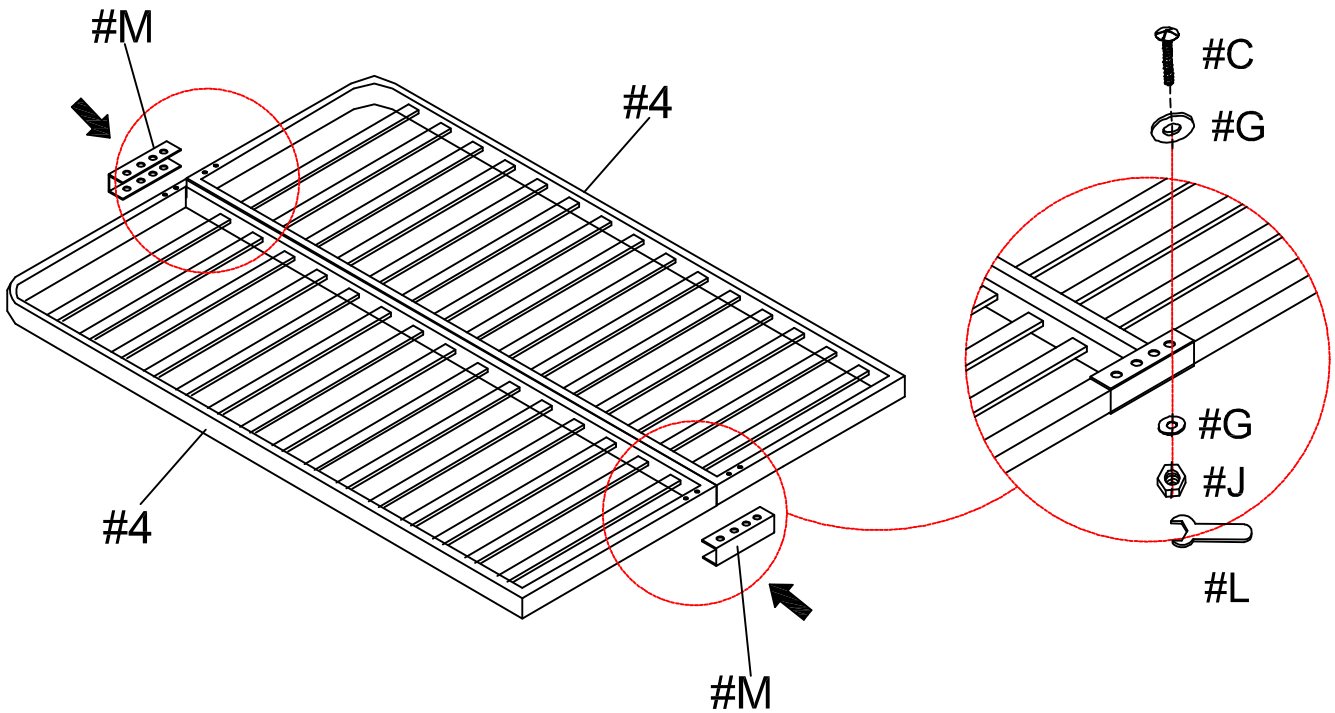
# STEP 2



Align legs (#7) to the headboard (#1) and footboard (#3), then secure by using bolts (#E) with washers (#G). Secure using the Allen wrench (#K).

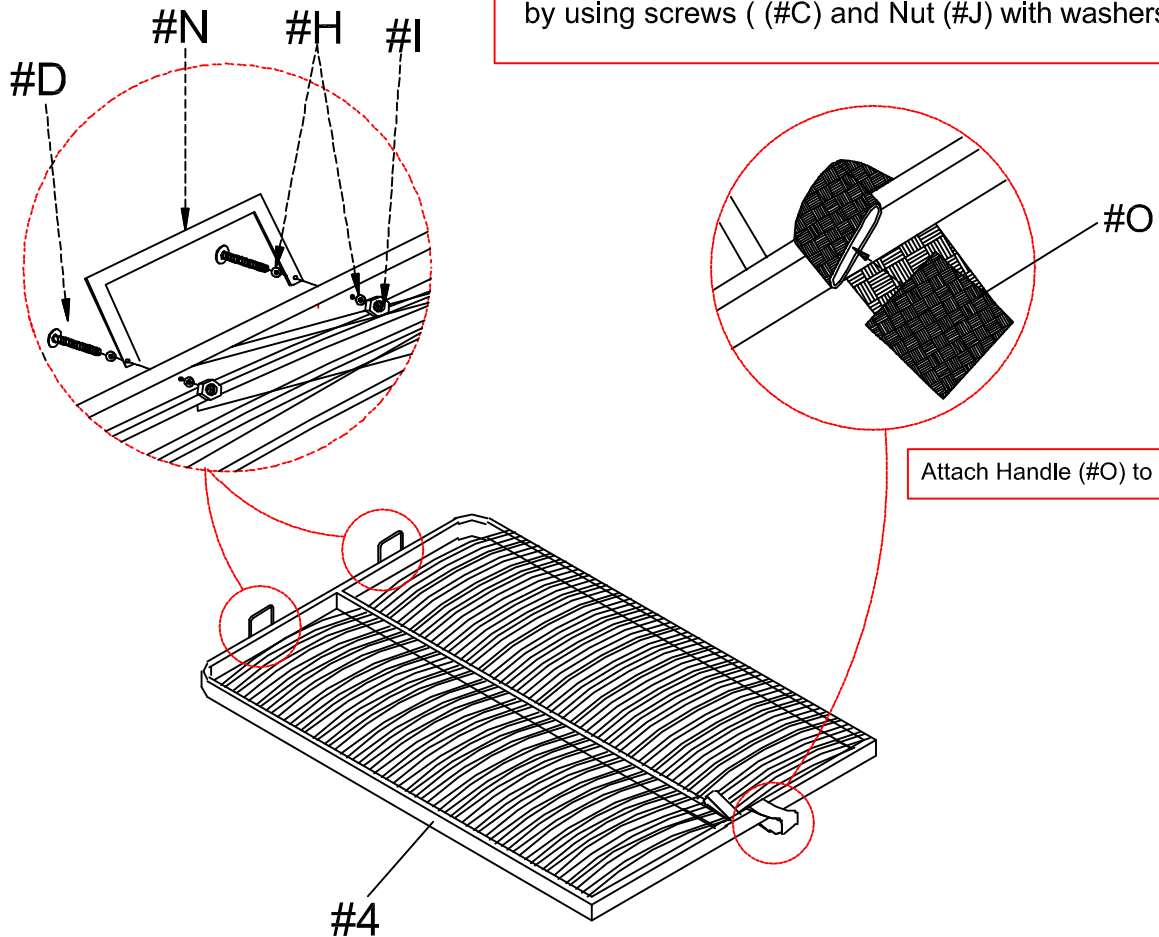
### STEP 3

Align Cape Code (#M) to the Rib Frame (#4), then secure by using screws (#C) and Nut (#J) with washers (#G).



### STEP 4

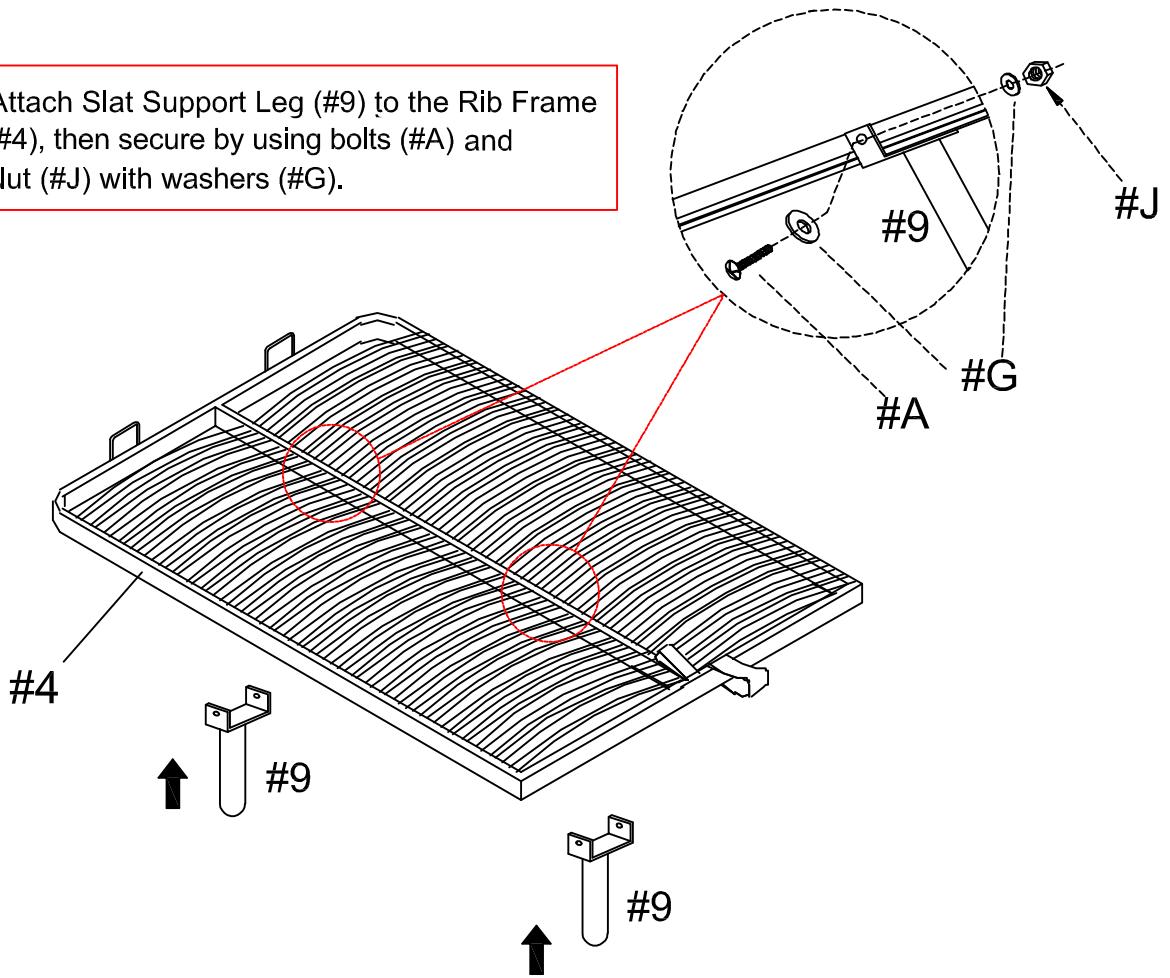
Align U-Shape Hook (#N) to the Slat (#4), then secure by using screws (#C) and Nut (#J) with washers (#G).



Attach Handle (#O) to Rib Frame (#4).

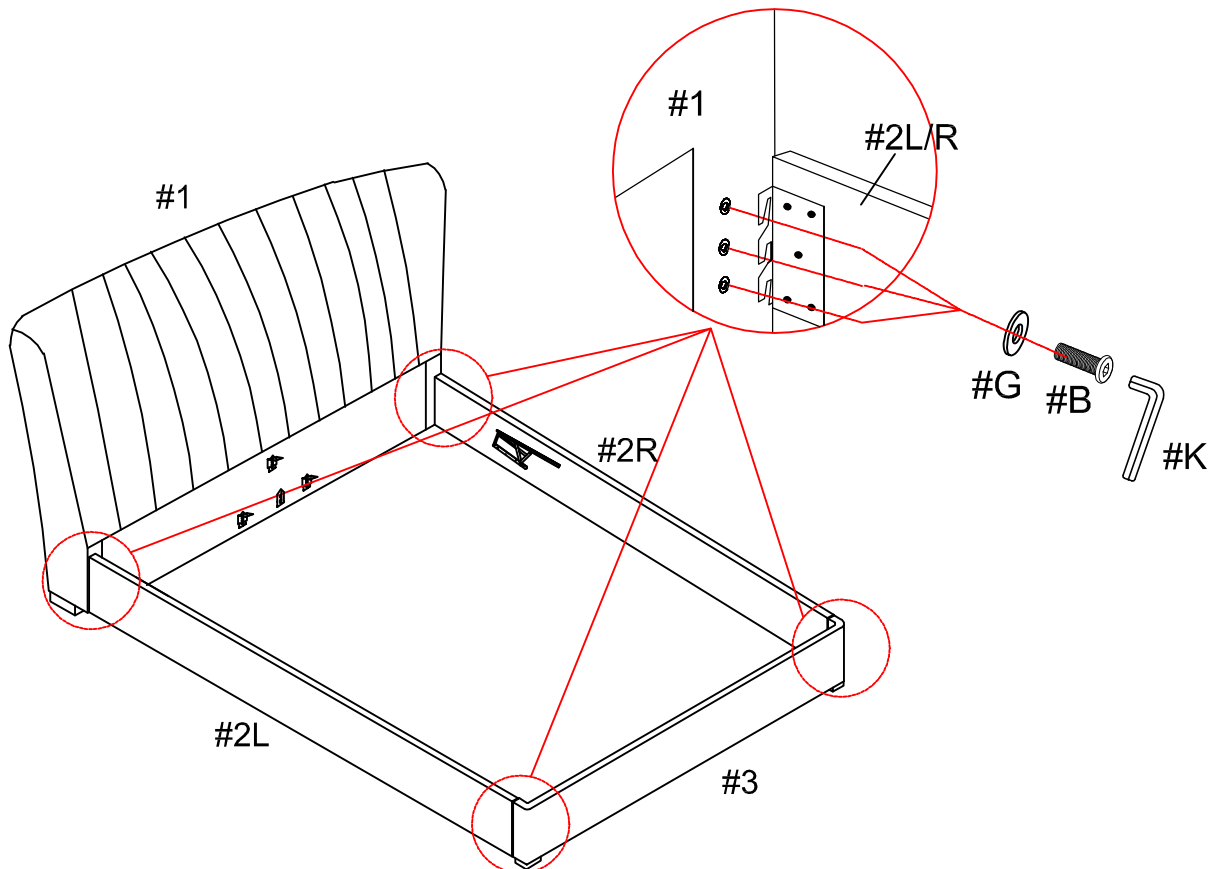
## STEP 5

Attach Slat Support Leg (#9) to the Rib Frame (#4), then secure by using bolts (#A) and Nut (#J) with washers (#G).



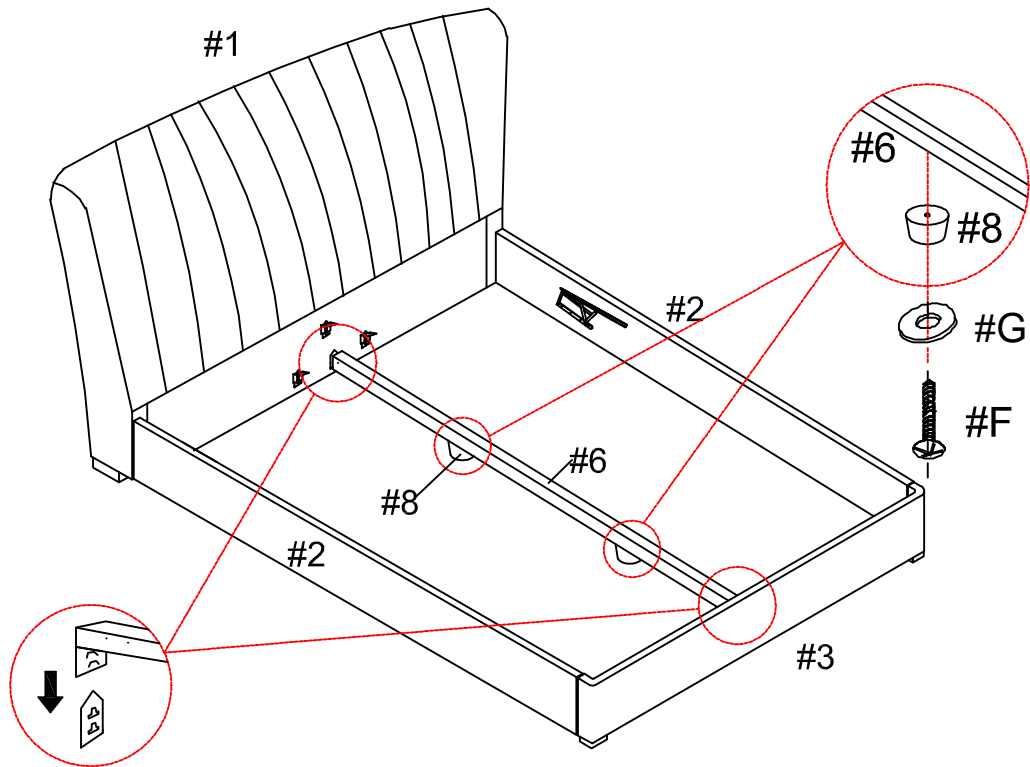
## STEP 6

Align side rails (#2L/R) to the holes of the headboard (#1) and footboard (#3), then secure by using bolts (#B) with washers (#G). Secure using the Allen wrench (#K).



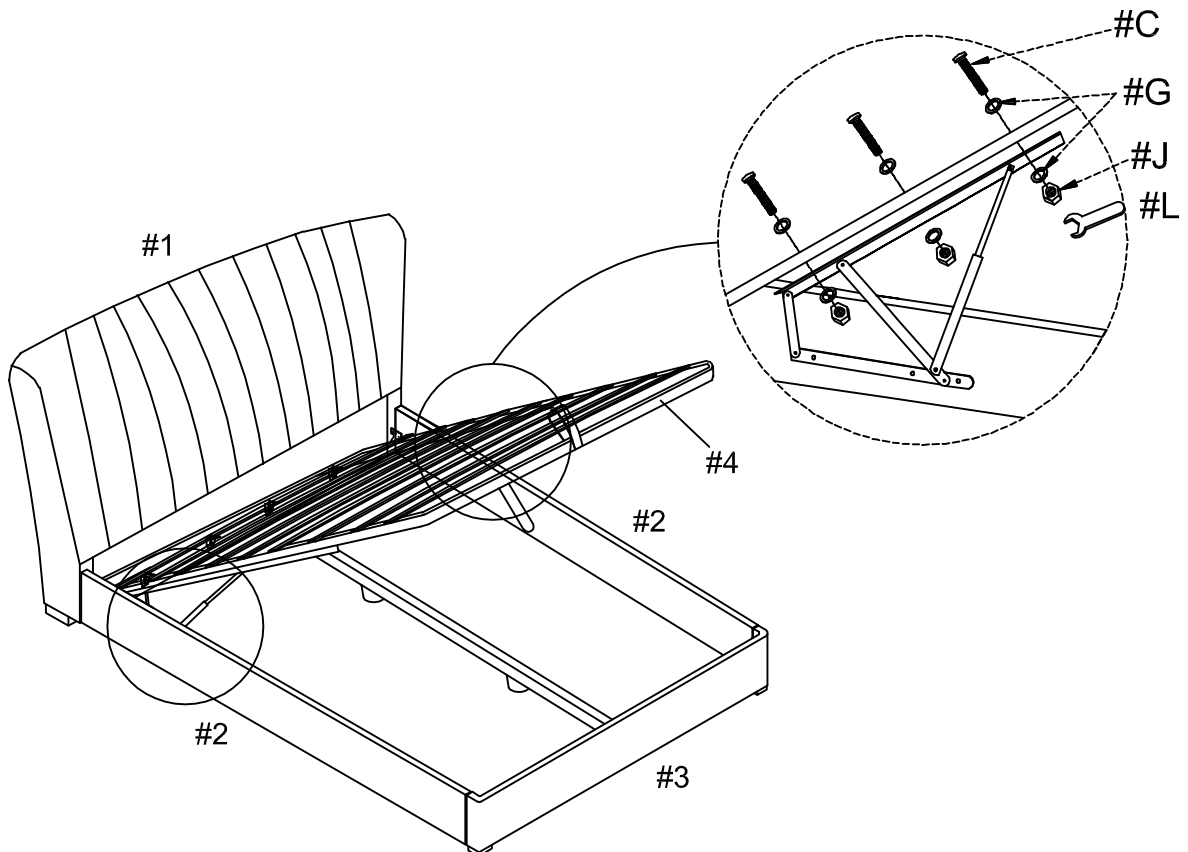
## STEP 7

- 1 Attach support legs (#8) to the center support rails (#6), then secure by using bolts (#F) with washers (#G).
- 2 Attach and slide the Centre support rails (#6) to the metal brackets of the headboard and footboard.



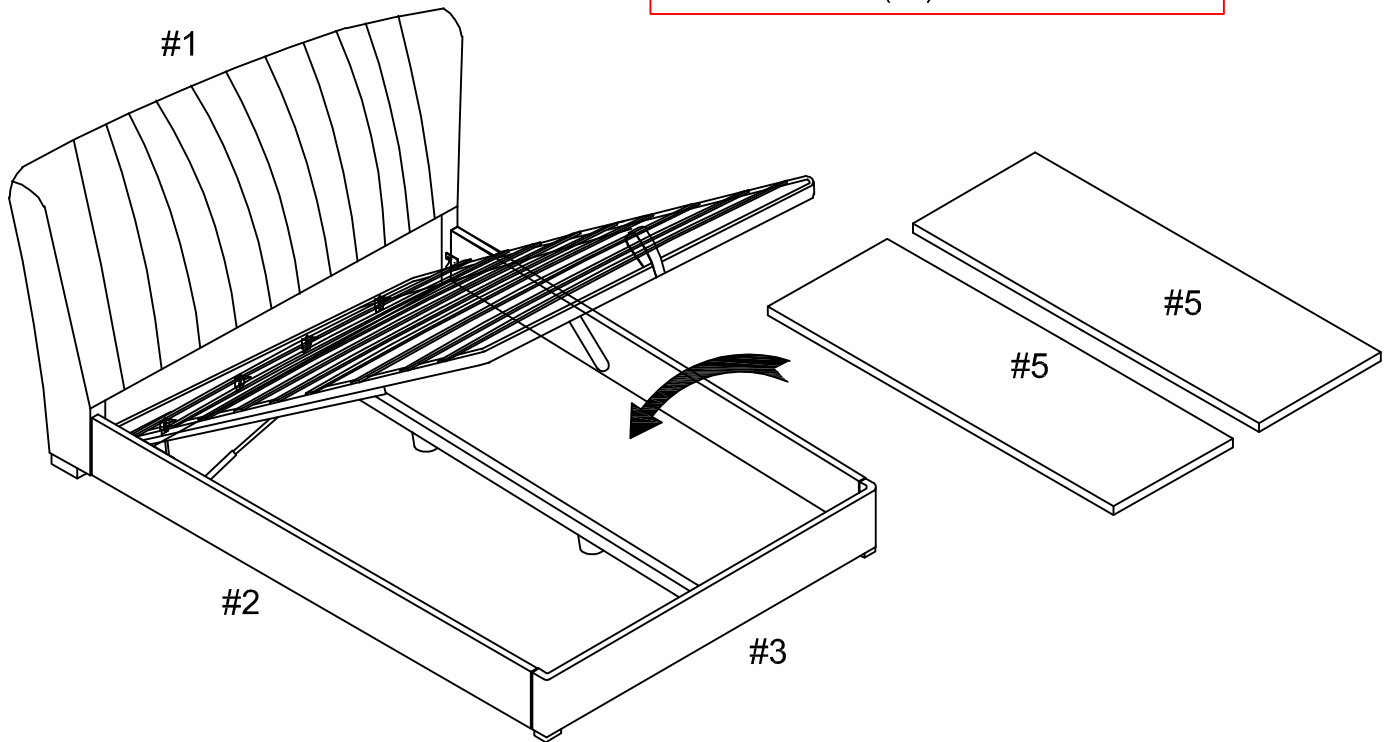
## STEP 8

- Align Slats (#4) to the Side Rail (#2), then secure by using bolts (#C) and Nut (#J) with washers (#G).

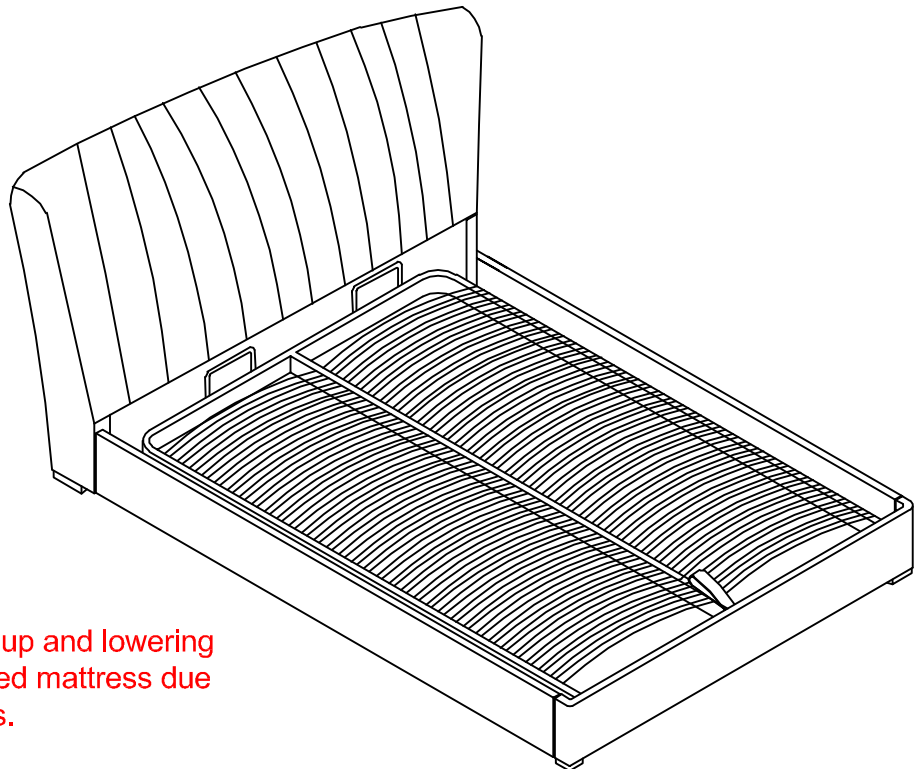


## STEP 9

Put Base boards(#5) in the board cabinet.



## STEP 10



### CUSTOMER NOTICE

Please take care when lifting up and lowering the ottoman without a weighted mattress due to the pressurised gas pistons.

ASSEMBLY COMPLETE